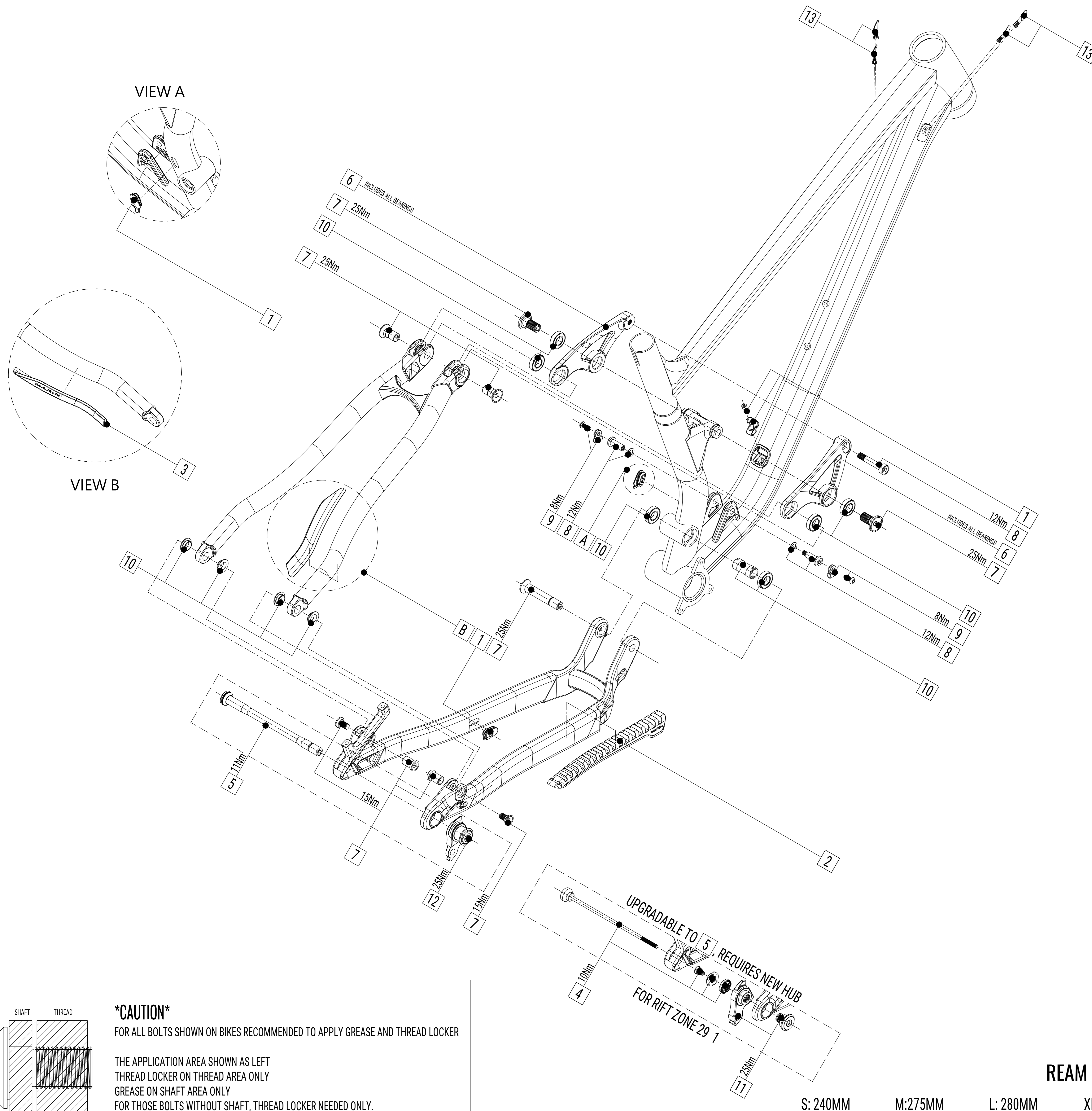


'23 RIFT ZONE 29" 1, 2, XR

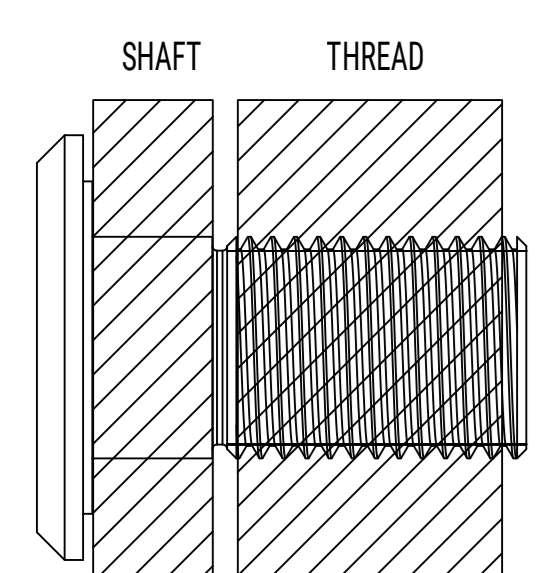


SERVICE PARTS

NO.	ARTICLE CODE	DESCRIPTION	NOTES
1	736026	PLASTIC EXIT HOLE CABLE CLAMP	
2	736027	RIFT ZONE V3 CS PROTECTOR, VLF-C-1483	
3	736028	RIFT ZONE V3 SS PROTECTOR, VLF-C-1484	
4	736029	CLOSED 9 TO 12 BOLT ON AXLE KIT 141-148, TAPERED HEAD	OE SPEC AXLE: RIFT ZONE 29 1
5	736031	148x12 BOLT ON AXLE, 174MM LENGTH, TAPERED HEAD	
6	736032	RIFT ZONE V3 ROCKER LINK	
7	736033	PIVOT BOLT KIT H	
8	736034	SHOCK BOLT KIT H	
9	736035	P-CLIP CABLE HOLDER	
10	726902 726910	BEARING KIT A + IGUS BUSHING	
11	737016	HANGER #55, WITH BOLT	OE SPEC HANGER: RIFT ZONE 29 1
12		SRAM UDH PN: 00.7918.089.000	OE SPEC HANGER: RIFT ZONE 29 2, XR
13	736334	SNAP IN RUBBER PLUG KIT	INCLUDES: 4MM_VLD+1286 QTY: 2 pcs 5MM_VLD+1287 QTY: 2 pcs

TECHNICAL DATA

FORK AXLE TO CROWN	OE SPEC: 553	MAX: 563
REAR WHEEL TRAVEL	130MM	
TIRE COMPATIBILITY	FRONT: 2.6" MAX	REAR: 2.6" MAX
HEADSET DIM	UPPER: ZS44	LOWER: ZS56
SHOCK INFO	EZE: 210	STROKE: 55
SHOCK HARDWARE	UPPER: 25xM8	LOWER: 25xM8
SEATPOST DIAMETER	30.9MM	
SEAT COLLAR DIAMETER	34.9MM	
CHAINLINE	52-55MM	
REAR BRAKE MOUNT	POST MOUNT 180MM	
REAR AXLE	148x12MM	
BEARING SPEC	6901V2RS 12x24x6 QTY: 6 IGUS PN: JFM-1214-05 12x14x5 QTY: 4	



CAUTION
FOR ALL BOLTS SHOWN ON BIKES RECOMMENDED TO APPLY GREASE AND THREAD LOCKER

THE APPLICATION AREA SHOWN AS LEFT
THREAD LOCKER ON THREAD AREA ONLY
GREASE ON SHAFT AREA ONLY
FOR THOSE BOLTS WITHOUT SHAFT, THREAD LOCKER NEEDED ONLY.

REAM DEPTH

S: 240MM M: 275MM L: 280MM XL: 280MM

MARIN

BIKES CALIFORNIA